

GX100NX

All New 1m Maritime Global Xpress Terminal



2.5GHz Wideband Ka Ready

The GX100NX uses 2.5GHz wideband Ka tuned Radome & Reflector. It eliminates the inconvenience of replacing the Radome and Reflector when 2.5GHz service is introduced.

High Power BUC Upgradable

The GX100NX can be easily upgraded with the 10W High Power BUC. There is no need to replace the BDT and no additional components are required. Simply upgrade 10W BUC to benefit high throughput service.

Standardized Modular Components Across NX Platform

Modular components are used throughout the NX Platform, such as dynamic motor brakes with integrated encoders, Main Control Unit and skew assembly. Sharing common modules across Intellian's NX antenna series, the number of spare parts is reduced.

New All-In-One Below Deck Terminal

The all-new GX BDT integrates ACU, GX modem, power supply, 4-port switch and GX Mediator. This 19 "1U size BDT can be easy to install in the FX rack, reducing installation time and costs.

Single Coaxial Cable

The GX100NX integrates RF and power cables into one coaxial cable. A single cable carries Tx, Rx, DC power, data and reference signals between the antenna and the BDT.

New AptusNX

Intellian's all new integrated M&C platform, AptusNX provides responsive web user interface to manage and control the antenna system regardless of device types. Installation Wizard in AptusNX automates functions for system configuration so that operators are minimally involved in system installation and operation, including automatic cable loss compensation, line-up test and auto diagnostics.

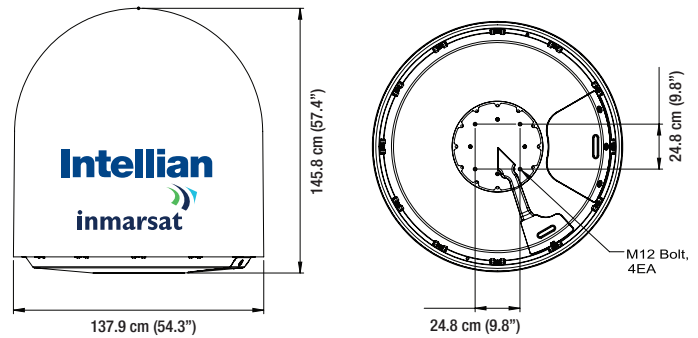
GX100NX 1m Maritime Global Xpress Terminal

Technical Specifications

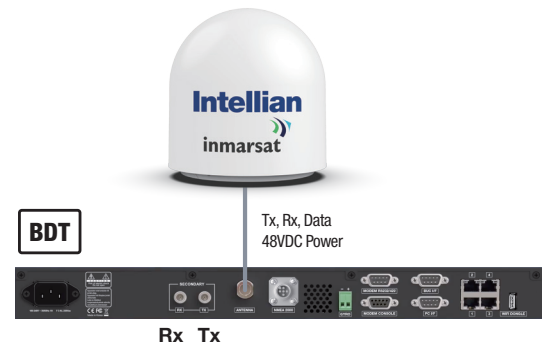
Above Deck Unit	
Radome Height	145.8 cm / 57.4"
Radome Diameter	137.9 cm / 54.3"
Reflector Diameter	105 cm / 41.3"
Weight	113 kg / 249.1 lbs
Azimuth Range	Unlimited
Elevation Range	-20° to 115°
Cross-level Range	± 37°
Stabilization Accuracy	0.2° peak miss-pointing @max ship motion condition
Motor Brake System	Dynamic Break System
Tx Frequency	29.0 ~ 30.0 GHz Ka-band
Tx Gain	47.7 dBi @ 29.5 GHz (w/ radome)
Rx Frequency	19.2 ~ 20.2 GHz Ka-band
Rx Gain	44 dBi @ 19.7 GHz (w/ radome)
G/T	> 20.1 dB/K @ 19.7 GHz (w/ radome)
BUC Power	5W / 10W
Tx Sidelobe	Meet FCC 25.138
Rx Sidelobe	Meet FCC 25.209
Polarization	Circular (Tx : RHCP, Rx : LHCP)
Antenna Cable	Single 50 ohm Coax Cable

Below Deck Terminal	
Dimensions (WxDxH)	43.1 cm x 41.1 cm x 4.4 cm / 17" x 16.1" x 1.7"
Weight	5.7 kg / 12.5 lbs
Display	OLED Display
Gyrocompass Interface	NMEA 2000, NMEA 0183
Mediator Interface	GX Mediator Integrated
Modem	GX Modem Integrated
Remote Management	Yes
Wi-Fi Operation	Yes (w/ Wi-Fi dongle)
Management Port	Yes
Intellian LAN Port	Yes
Power Requirement	100 ~240 VAC, 50~60Hz, 3A

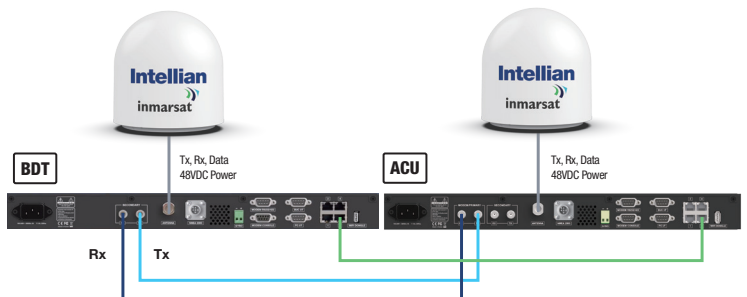
System Dimension



System Diagram



System Diagram (Dual Antenna)



Intellian

Global HQ
 Innovation Center
 Intellian Technologies, Inc.
 T +82 31 379 1000
 F +82 31 377 6185

APAC
 Seoul
 Intellian Technologies, Inc.
 T +82 2 511 2244
 F +82 2 511 2235

Americas
 Irvine
 Intellian Technologies USA, Inc.
 T +1 949 727 4498
 F +1 949 271 4183
 Toll Free +1 888-201-9223

EMEA
 Rotterdam
 Intellian B.V.
 T +31 1 0820 8655
 F +31 1 0820 8656